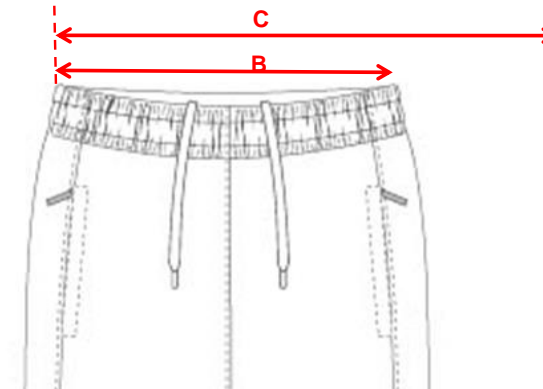
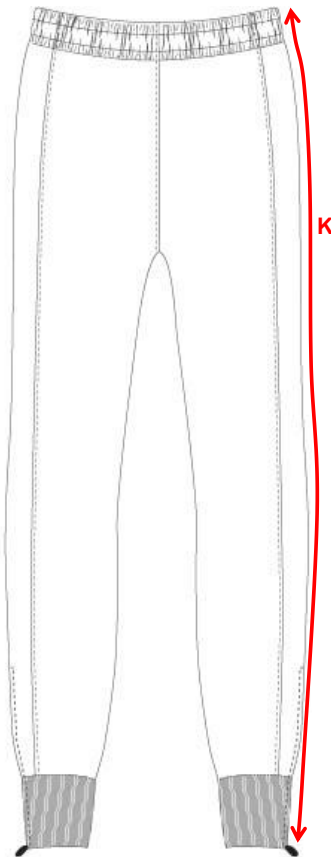
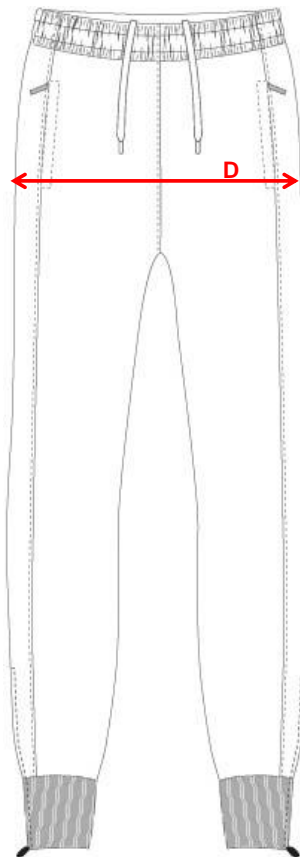
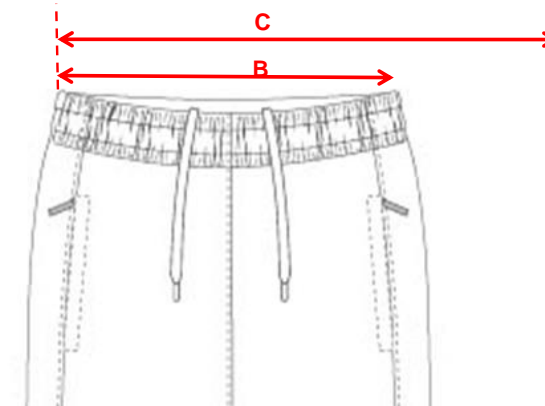
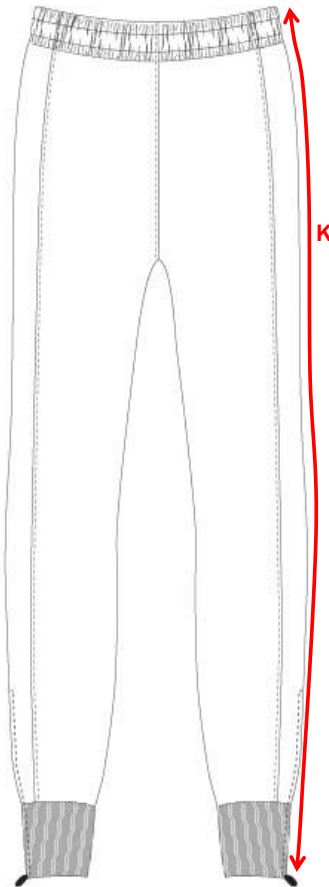
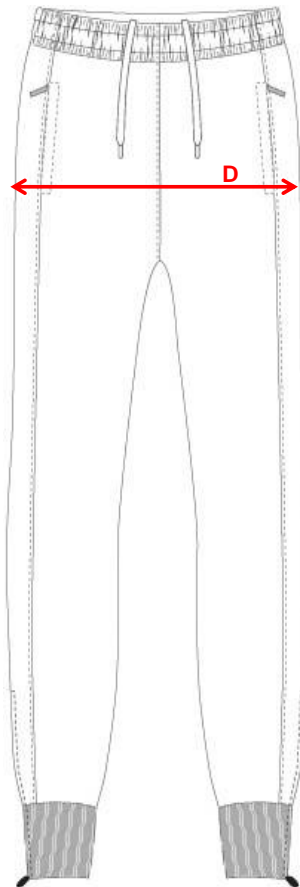


		2XS	XS	S	M	L	XL		2XL	3XL	4XL	5XL	TOL(+/-)
B	WAIST - RELAXED	30	32.5	35	37.5	40	42.5		46.25	50	53.75	57.5	0.5
C	WAIST - STRETCHED	46	48.5	51	53.5	56	58.5		62.25	66	69.75	73.5	1
D	1/2 HIP - 3CM UP FROM CROTCH	48.5	51	53.5	56	58.5	61		64.75	68.5	72.25	76	1
K	OUTLEG - INCL. WAISTBAND and CUFF	95	96	97	98	99	100		101	102	103	104	0.5



		2XS	XS	S	M	L	XL		2XL	3XL	4XL	5XL		TOL(+/-)
B	WAIST - RELAXED	31	33.5	36	38.5	41	36		39.75	43.5	47.25	51		0.5
C	WAIST - STRETCHED	44	46.5	49	51.5	54	49		52.75	56.5	60.25	64		1
D	1/2 HIP - 3CM UP FROM CROTCH	44.5	47	49.5	52	54.5	49.5		53.25	57	60.75	64.5		1
K	OUTLEG - INCL. WAISTBAND and CUFF	92	93	94	95	96	94		95	96	97	98		0.5



		4	6	8	10	12	14	16				TOL(+/-)
B	WAIST - RELAXED	21.5	23.5	25.5	27.5	29	30.5	32				1
C	WAIST - STRETCHED	35.5	37.5	39.5	41.5	43	44.5	46				1
D	1/2 HIP - 3CM UP FROM CROTCH	42	44	46	48	49.5	51	52.5				1
K	OUTLEG - INCL. WAISTBAND	60	68	76	84	88	92	96				1

